

DANODREN JARDIN

Danodren Jardin is a 770 g/m² nodular sheet, composed of high density polyethylene (HDPE) joined to a non-woven and thermally bonded geotextile 100% of 70% polypropylene and 30% polyethylene of 115, ±5% g/m². Nodule height is 7,3 ± 0,2 mm. It is used instead of gravel for horizontal water drainage, specially in parks and gardens.

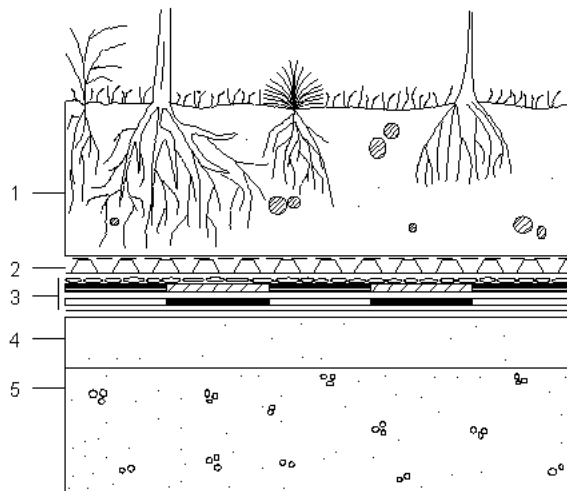


STANDARDS AND CERTIFICATION

Certificado de conformidad CE de geotextiles y productos relacionados. Cumple con los requisitos del Código Técnico de la Edificación (C.T.E.).

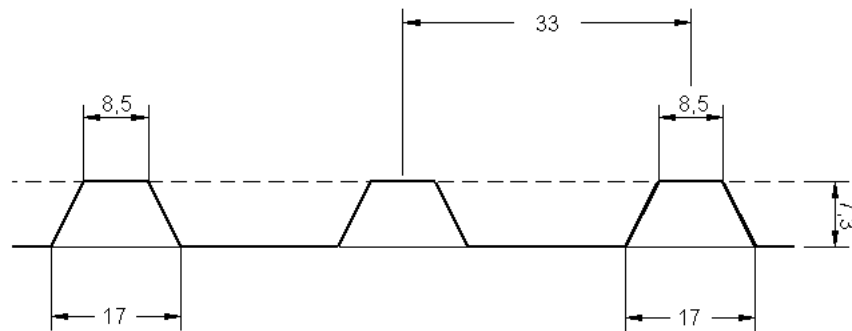
PRESENTATION

PRESENTATION	VALUE	UNIT
Length	20	m
Width	2.10	m
Nodule height	7,3 ± 0,2	mm
Roll surface	42	m ²
Rolls per pallet	6	rolls
Product Code	314076	-



TECHNICAL DATA

PHYSICAL PROPERTIES	VALUE	UNIT	STANDARD
Mass	770	g/m ²	UNE EN 1849-2
N. of nodules	1907	-	-
Compressive resistance	200 ± 20%	KN/m ²	UNE EN ISO 604
Tensile strength, approx.	>700	N/60mm	UNE EN 12311-1
Tear strength, approx.	>25	%	UNE EN 12311-1
Modules of elasticity	1500	N/mm ²	ISO 178
Water absorption	1	mg/4d	DIN 53495
Drainage capacity, approx.	5	l/s.m	-
Temperature range	-30 a 80	°C	-
Air volume between nodules, approx.	5.9	l/m ²	-


GEOTEXTILE PROPERTIES

PHYSICAL PROPERTIES	VALUE	UNIT	NORM
Puncture resistance (CBR)	1.36, -0.08	KN	UNE EN ISO 12236
Longitudinal tensile strength	7.63, -0.32	KN/m	UNE EN ISO 10319
Longitudinal elongation at break	60±30	%	UNE EN ISO 10319
Opening size	160±24	µm	UNE EN ISO 12956
Water permeability	61.40 Exp-3, -9.21 Exp-3	m/s	UNE EN ISO 11058

WARNING

The information that appears in the following document makes reference to the uses and utilities of danosa's products and systems, and it is based on the knowledge that have been learnt until present, by Danosa. This is only possible if products have been stored and used in an appropriate way.

Nevertheless, Danosa is not responsible for unsuitable uses of the products neither any other facts, such as meteorological facts. So Danosa is just responsible for the quality related to the provided products.

Danosa reserves the right to carry out modifications without previous notice.

The values that appear in the technical sheet are the results of the tests that have been performed in our laboratory. September 2006.

Web site: www.danosa.com E-mail: export@danosa.com Phone number: +34 949 888 210